

3 way ball valve S4

Electric actuator EO510 IND



Symbol photo

General:

- Material: PVC-U / PP / PVDF
- Sealing material: EPDM / FPM
- Ball seating joint: PTFE
- ball T- oder L-Bohrung
- Dimensions

DN10	(DN15 / d16 / d3/8")
DN15	d20 d1/2"
DN20	(DN25 / d25 / d3/4")
DN25	d32 1"
DN32	(DN40 / d40 / d11/2")
DN40	d50 d1 1/2"
- Voltages: 12 – 24V AC/DC
100 – 230V AC

Connector types

- Solvent socket DIN
PVC
- Solvent spigot DIN
PVC
- Fusion socket DIN
PP / PVDF
- Fusion spigot DIN
PP / PVDF

Operating pressure:

DN10 d12 3/8" – DN25 d10 1"	10 bar
DN32 d40 1/4" – DN40 d50 1 1/2"	3 bar

Technical Features:

- Manual override with visual position indicator
- 4 possible travel stops
- Position feedback possible
- Protection class IP65

This document does not constitute a guarantee, it is for initial information purposes only. The product range is continually upgraded, the designs and types therefore only reflect the state of the art at the time of printing. Subject to technical modifications!

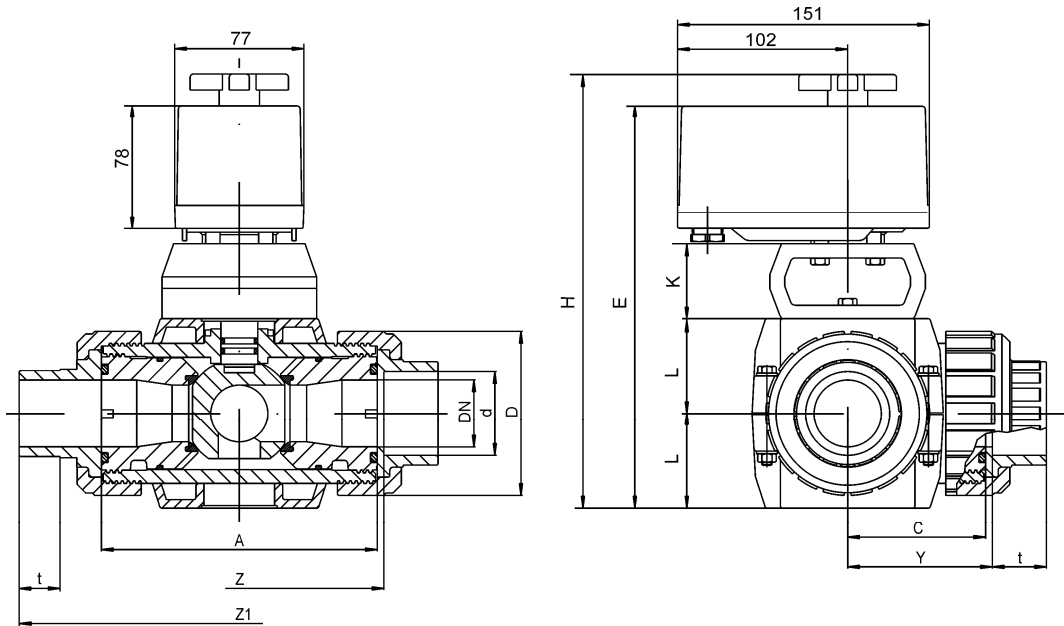


3 way ball valve S4

Electric actuator EO510 IND



Dimensions:



PVC-U

Connector types

PVC solvent socket / solvent spigot

		<i>without console</i>						
		DN	10	15	20	25	32	40
		d	16	20	25	32	40	50
ball valve PVC-U	A		100	100	120	120	162	162
	C		50	50	60	60	81	81
	D		53	53	70	70	101	101
	t_{SSO}¹ / SSP²		16,5	16,5	20	22,5	27,5	31,5
	Y		53	53	63	63	84,5	85,5
	Z		106	106	126	126	169	171
	Z1_{SSO}¹		138	138	166	172	224	234
	Z1_{SSP}²		153	163	-	200	-	261
	bar		10	10	10	10	3	3
Bracket / actuator	E		188	188	206	206	200	200
	H		208	208	226	226	220	220
	K		38	38	38	38	-	-
	L		33	33	40	43	56	56

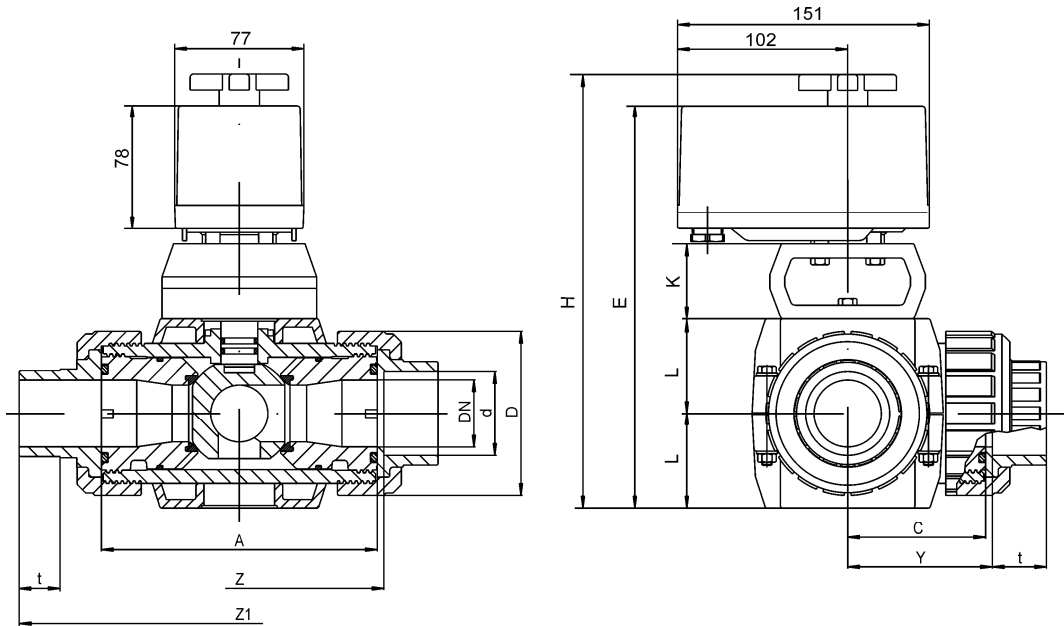
¹ SSO = solvent socket - = currently not realised
² SSP = solvent spigot

dimensions in mm



3 way ball valve S4

Electric actuator EO510 IND



PP / PVDF

Connector types

PP / PVDF fusion socket / fusion spigot

	DN	10	15	20	25
	d	16	20	25	32
ball valve PP / PVDF	A	98	98	118	118
	C	49	49	59	59
	D	53	53	70	70
	t _{FSO} ¹	14,5	16	17,5	19,5
	t _{FSP} ²	13	14	16,5	18,5
	Y _{FSO} ¹	54	52	64	65
	Z _{FSO} ¹	107	104	128	129
	Z1 _{FSO} ¹ PP	136	136	163	171
	Z1 _{FSO} ¹ PVDF	136	136	162	167
	Z1 _{FSP} ²	150	160	190	197
bar	10	10	10	10	
Bracket / actuator	E	188	188	206	206
	H	208	208	226	226
	K	38	38	38	38
	L	33	33	40	43

dimensions in mm

¹ FSO= fusion socket

² FSP = fusion spigot



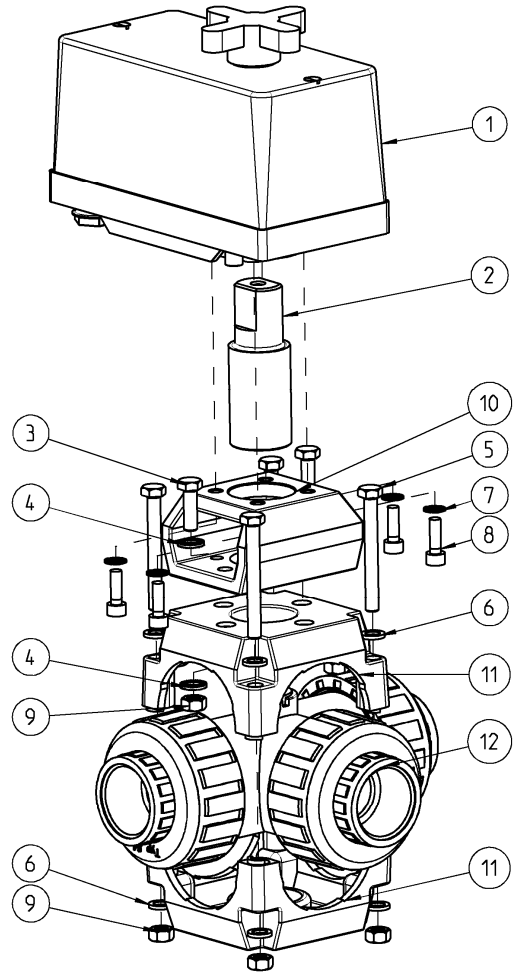
3 way ball valve S4

Electric actuator EO510 IND



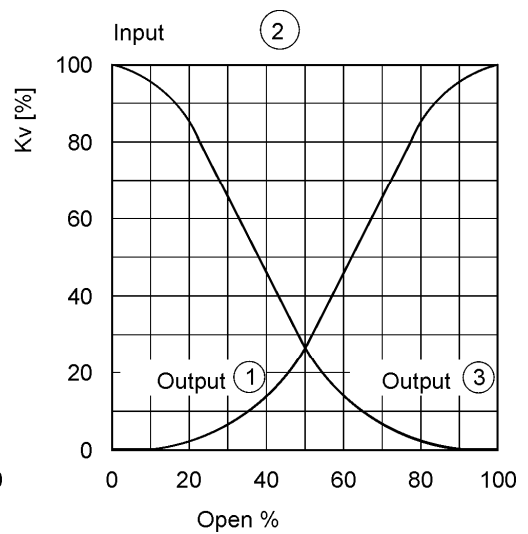
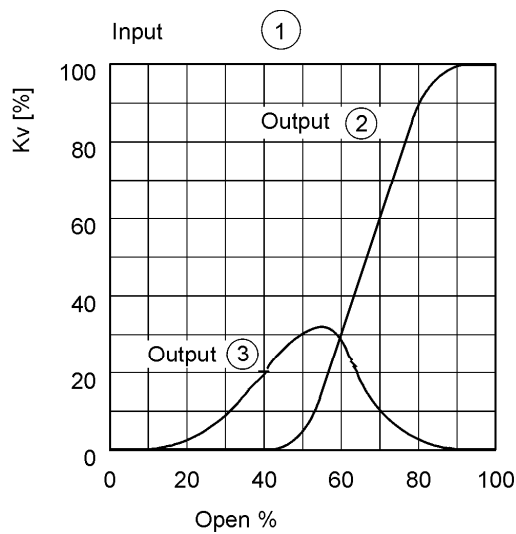
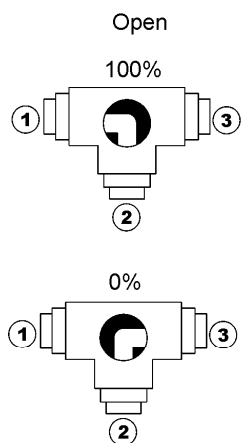
Exploded drawing:

- 1. EO510 IND
- 2. Clutch
- 3. Screws
- 4. Tooth wheel
- 5. Screws
- 6. Washer
- 7. Tooth wheel
- 8. Screw
- 9. Nut
- 10. Console
- 11. Bracket
- 12. 3 way ball valve S4



Diagrams:

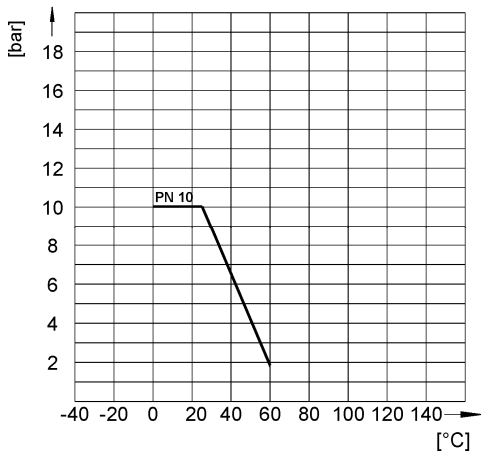
Flow-Characteristic



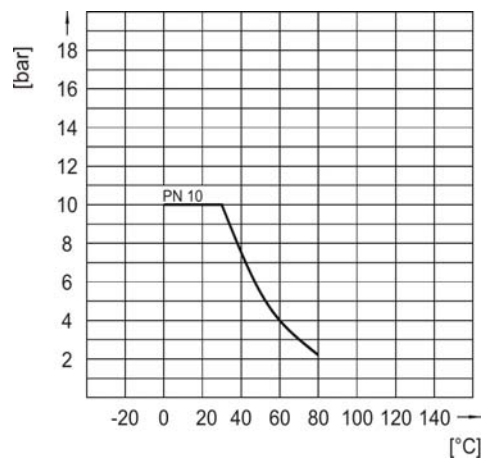
3 way ball valve S4
Electric actuator EO510 IND



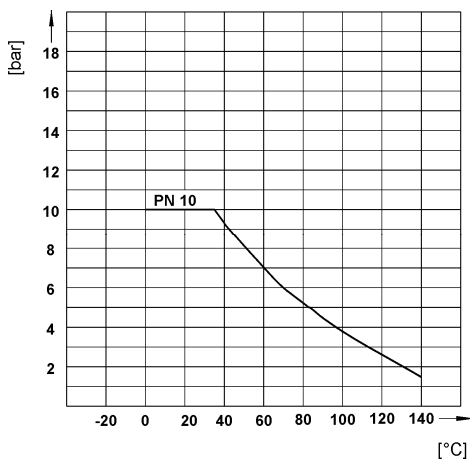
Pressure-Temperature-Diagram – PVC-U



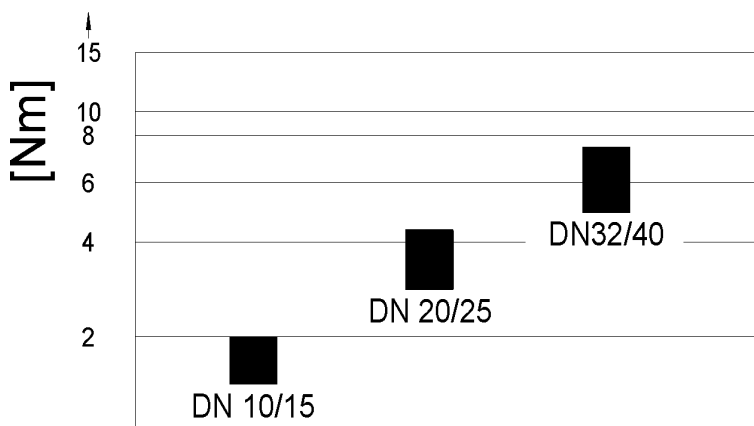
Pressure-Temperature-Diagram – PP



Pressure-Temperature-Diagram – PVDF



Torque



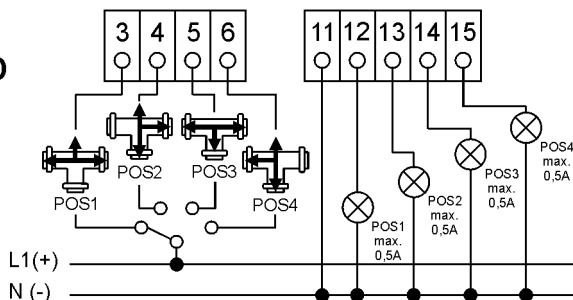
Technical data EO510 IND:

	EO510 IND-24	EO510 IND-230V
Voltages	12 – 24V AC/DC	100 – 230V AC
Frequency range	50 / 60 Hz	50 / 60 Hz
Power consumption	8 Watt max.	
Protection	IP65	
Operating time	26 sec 90°	
Rotation angle	360° set to 90° 2 intermediate positions possible	
Duty duration	60% / max. 20 min	
Electrical connection	cable gland	
Nominal torque	7 Nm	
Peak torque	9 Nm	
Temperature	0°C bis + 50°C	
Body material	ABS	
Position indicator	optically (manual override handle)	
Manual override	integrated	

Electrical Connection:

**3W KH „T”
EO510 IND**

12 - 24V
100 - 230V
lt. Typenschild
type plate



**3W KH „L”
EO510 IND**

12 - 24V
100 - 230V
lt. Typenschild
type plate

