

3 way ball valve S4 hand operated



Symbolfoto

General:

- Material: PVC-U / PP / PVDF
- Sealing material: EPDM / FPM
- Ball seating joint: PTFE
- Ball: T- oder L-Bohrung
- Dimensions:
 - DN10 (DN15 / d16 / d3/8")
 - DN15 d20 d1/2"
 - DN20 (DN25 / d25 / d3/4")
 - DN25 d32 d1"
 - DN32 (DN40 / d40 / d1 1/4")
 - DN40 d50 d1 1/2"
 - DN50 d63 d2"

Connector types:

- Solvent socket PVC DIN / ASTM / JIS
- Solvent spigot PVC DIN
- Threaded socket PVC / PP BSP / NPT
- Fusion socket PP / PVDF DIN
- Fusion spigot PP / PVDF / PE DIN
- Backing flange PVC DIN

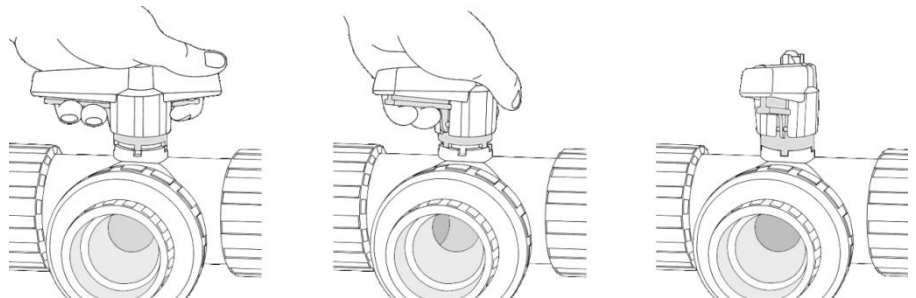
Operating pressure:

- PVC / PVDF PN16
- PP PN10

Technical features:

- Safety locking handle system
- Radial installation and removal
- Double sided blocked ball
- Machined ball
- Full section area of flow (nominal bore)
- Floating ball

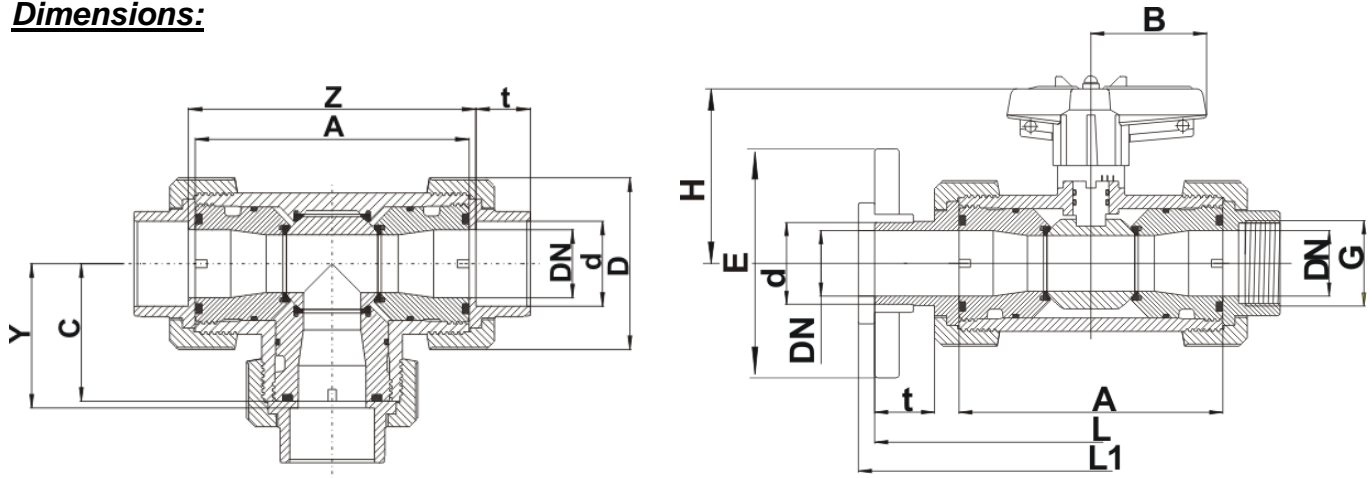
Safety locking handle system



This document does not constitute a guarantee, it is for initial information purpose only. The product range is continually upgraded, the designs and types therefore only reflect the state of the art at the time of printing. Subject to technical modifications!

3 way ball valve S4 hand operated

Dimensions:



PVC-U

Connector types

PVC solvent socket / solvent spigot / threaded socket / backing flange
PE fusion socket

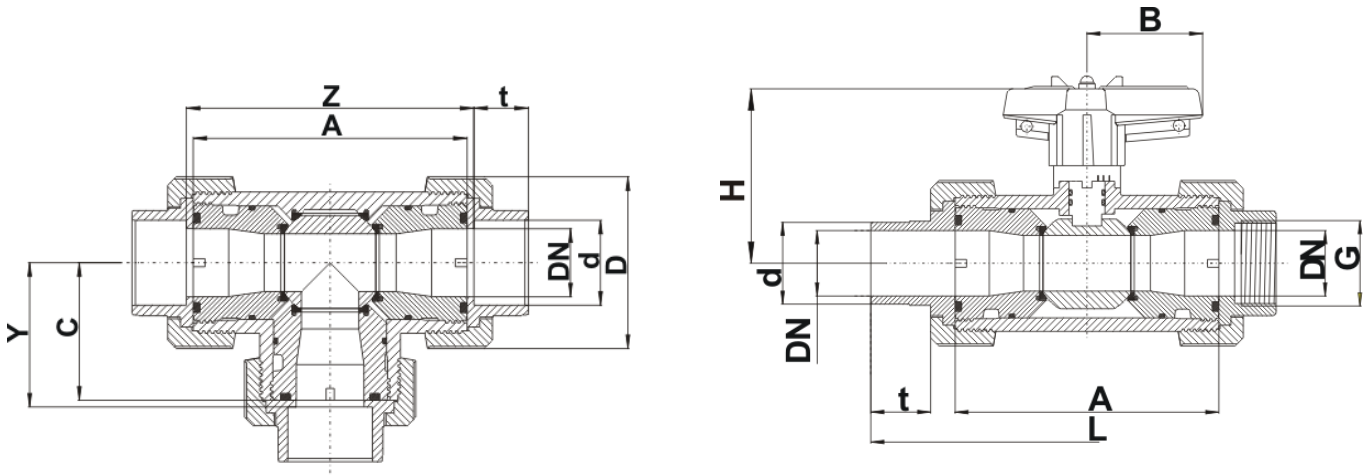
DN	10	15	20	25	32	40	50
d	16	20	25	32	40	50	63
G ¹ TSO	3/8"	1/2"	3/4"	1"	1 1/4"	1 1/2"	2"
A	100	100	120	120	162	162	181
B	40	40	51,5	51,5	73	73	85
C	50	50	60	60	81	81	90,5
D	53	53	70	70	101	101	124,5
H	72	72	81,5	81,5	107,5	107,5	116,5
t ² SSO / SSP ³	16,5	16,5	20	22,5	27,5	31,5	38,5
t ⁴ FSP PE	13	14,5	-	18,5	-	29	31
E ⁵ BF	90	95	-	115	-	150	165
L ² SSO / TSO ¹	138	138	166	172	224	234	269
L ³ SSP	153	163	-	200	-	261	295
L ⁴ PE FSP	150	160	-	198	-	246	269
L1 ⁵ BF	159	169	-	206	-	267	301
Y	53	53	63	63	84,5	85,5	96
Z	106	106	126	126	169	171	192
PN	16	16	16	16	16	16	16
PN ⁵ BF PE ⁴	10	10	10	10	10	10	10

dimensions in mm

¹ TSO = threaded socket
² SSO = Klebemuffe
³ SSP = Klebestutzen
⁴ FSP = fusion socket PE

⁵ BF = backing flange
- = currently not realised

3 way ball valve S4 hand operated



PP

Connector types

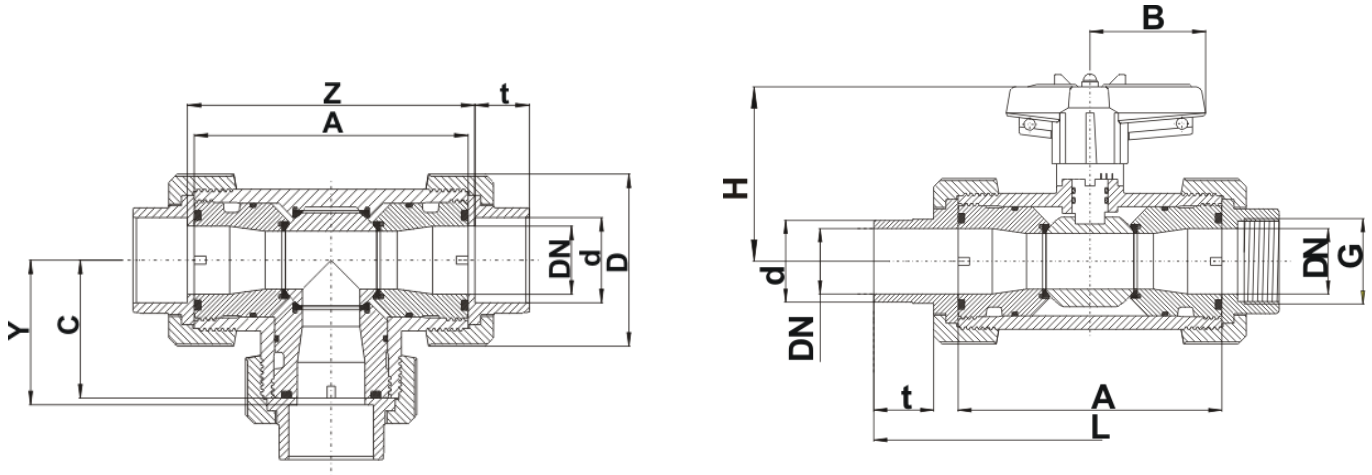
PP fusion socket / fusion spigot / threaded socket

DN	10	15	20	25	32	40	50
d	16	20	25	32	40	50	63
G ^{GM1}	3/8"	1/2"	3/4"	1"	1 1/4"	1 1/2"	2"
A	98	98	118	118	159	159	177
B	40	40	51,5	51,5	73	73	85
C	49	49	59	59	79,5	79,5	88,5
D	53	53	71	71	100	100	120,5
H	72	72	81,5	81,5	107,5	107,5	116,5
t _{min} ^{FSO²/FSP³}	13	14,5	16,5	18	20,5	23,5	27,5
L ^{FSO²}	136	136	163	168	220	229	263
L ^{FSP³}	150	160	190	196	247	256	289
L ^{TSO¹}	136	136	163	168	220	229	263
Y	55	53,5	65,5	66	89,5	91	104
Z	110	107	131	132	179	182	208
PN	10	10	10	10	10	10	10

dimensions in mm

- ¹ TSO = threaded socket
- ² FSO = fusion socket
- ³ FSP = fusion spigot
- = currently not realised

3 way ball valve S4 hand operated



PVDF

Connector types

PVDF fusion socket / fusion spigot / threaded socket

DN	10	15	20	25	32	40	50
d	16	20	25	32	40	50	63
G ^{TSO} ¹	3/8"	1/2"	3/4"	1"	1 1/4"	1 1/2"	2"
A	98	98	117	117	158	158	176
B	40	40	51,5	51,5	73	73	85
C	49	49	59	59	79	79	88
D	52,5	52,5	70	70	98,5	98,5	118
H	72	72	81,5	81,5	107,5	107,5	116,5
t _{min} ^{FSP} ² /FSP ³	13	14,5	16,5	18	20,5	23,5	27,5
L ^{FSO} ²	136	136	162	167	219	228	262
L ^{FSP} ³	26	31,5	36	39,5	44	48,5	55,5
L ^{TSO} ¹	136	136	-	168	-	228	262
Y	55	53,5	65,5	66	89	90,5	103,5
Z	110	107	130	131	178	181	207
PN	16	16	16	16	16	16	16

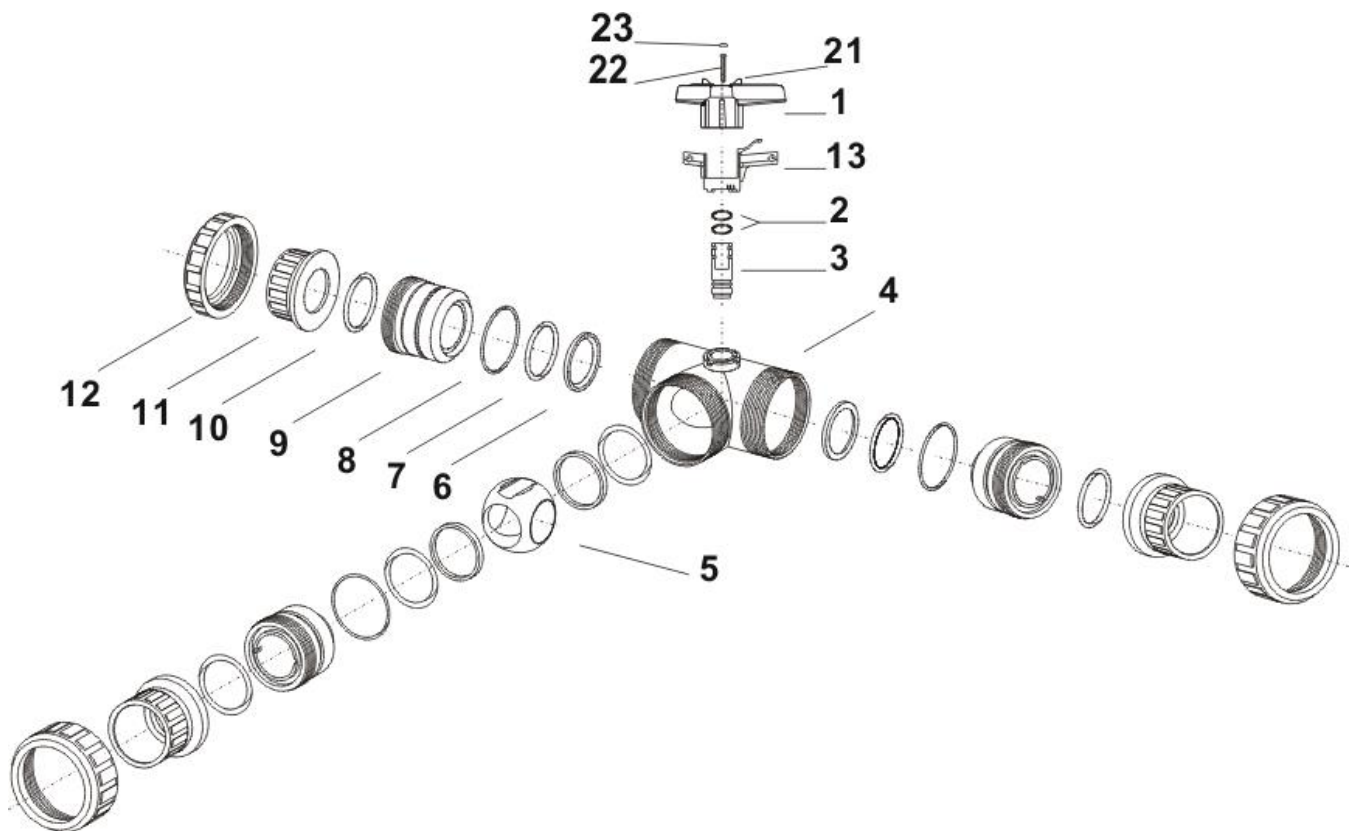
dimensions in mm

- ¹ TSO = threaded socket
- ² FSO = fusion socket
- ³ FSP = fusion spigot
- = currently not realised

3 way ball valve S4 hand operated

Exploded drawing:

- | | |
|-----------------------------------|--|
| 01. Handle | 12. Union nut |
| 02. O-Ring | 13. Spring loaded locking sleeve |
| 03. Shaft | 21. Stub tenon for opening thrust collar |
| 04. Body | 22. Screw |
| 05. Ball „L“ or „T“ | 23. PLS-labeling insert |
| 06. Ball seating joint | |
| 07. O-Ring | |
| 08. O-Ring | |
| 09. Thrust collar | |
| 10. O-Ring | |
| 11. Connector types | |
| solvent socket / -spigot | |
| fusion socket /-spigot | |
| threaded socket | |
| flange adapter and backing flange | |

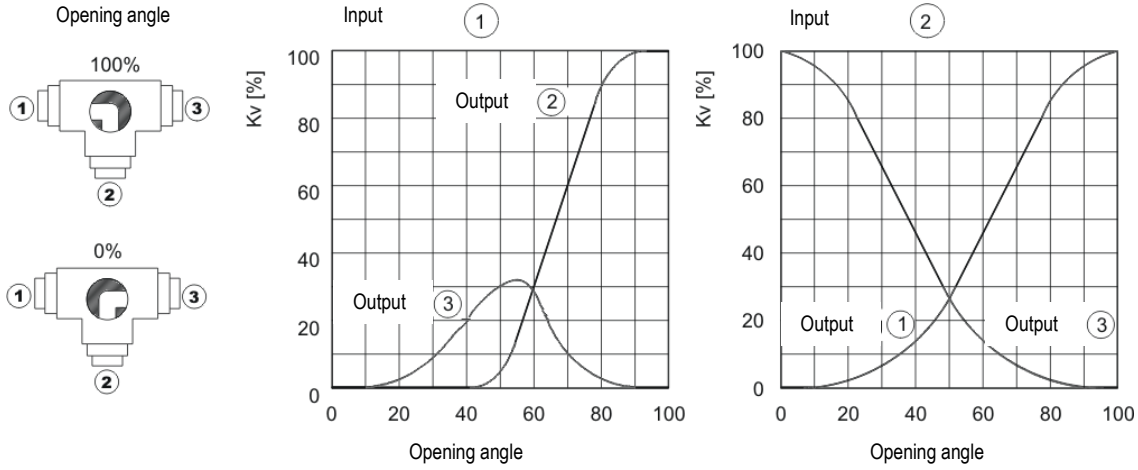


3 way ball valve S4 hand operated

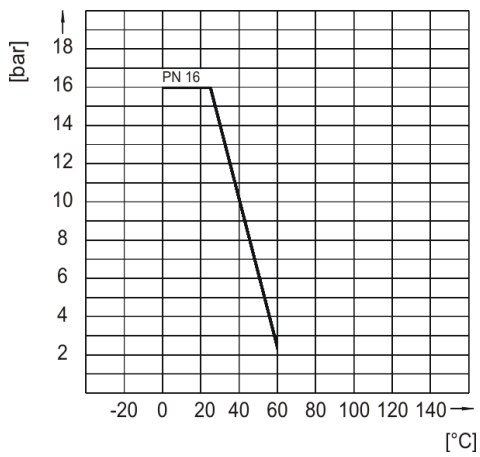


Diagrams:

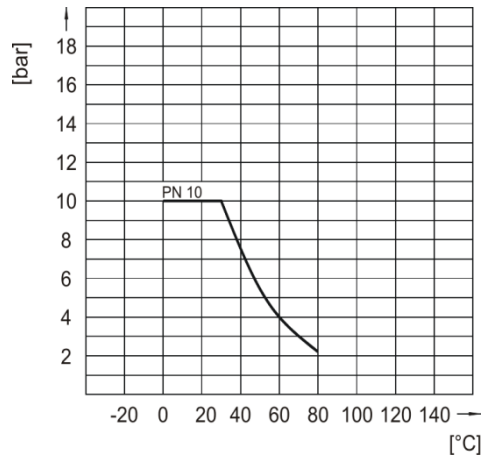
Flow characteristics



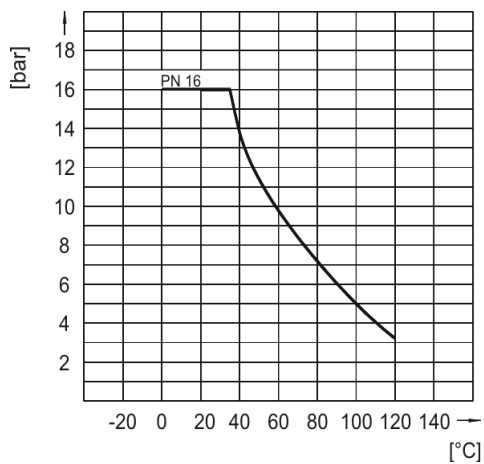
Pressure – temperatur – PVC-U



Pressure – temperatur – PP



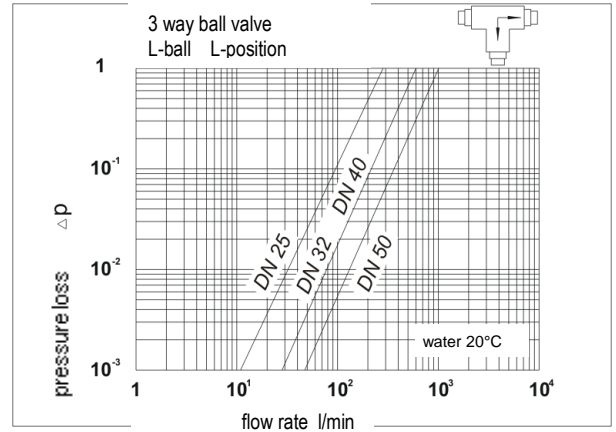
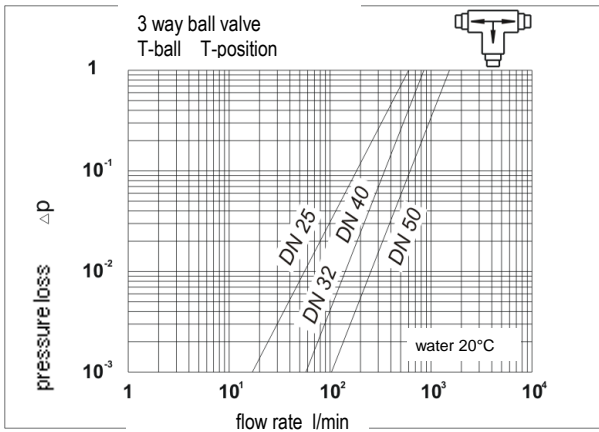
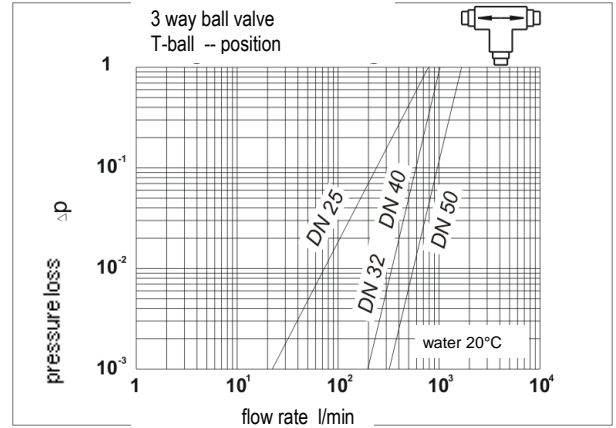
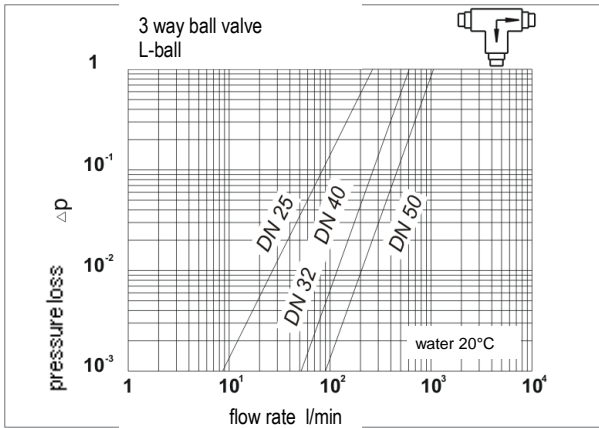
Pressure – temperatur – PVDF



3 way ball valve S4 hand operated



Pressure loss diagram



Torque

